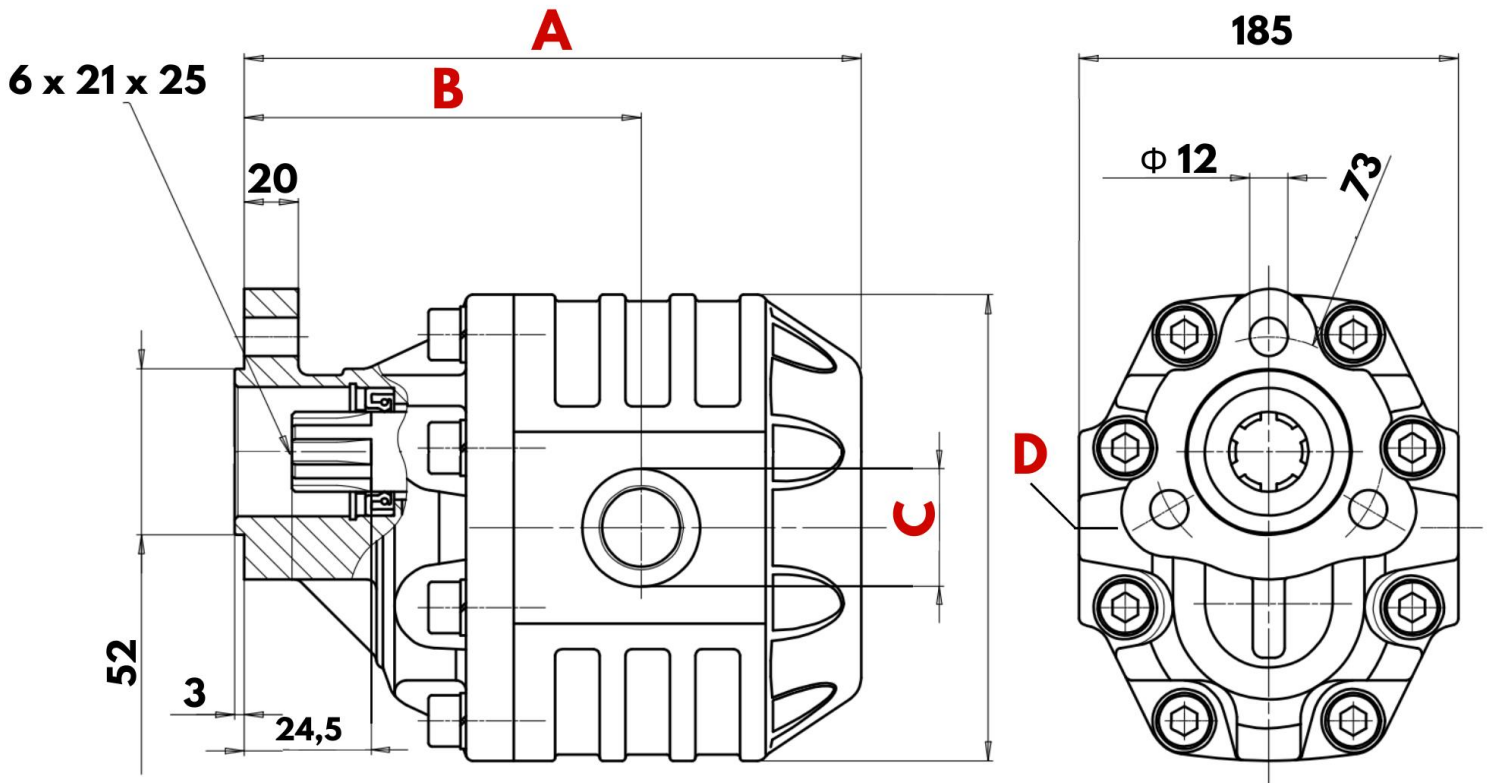


DATASHEET – DIMENSIONS

UNI 40



| | UNI40 | | | |
|-----------------------------|--------|-------|-------|-------|
| | 87cc | 109cc | 133cc | 151cc |
| A (mm) | 199,5 | 206,5 | 216,5 | 223,5 |
| B (mm) | 130,5 | 134,5 | 138,5 | 141 |
| Max. working pressure (bar) | 220 | 190 | | |
| Max. pressure (bar) | 240 | 220 | | 210 |
| C: Suction thread | 1 1/4" | | | |
| D: Pressure thread | 1 1/4" | | | |
| Direction of rotation | Left | | | |